

THIS COPY HAS BEEN MADE BY OR WITH THE ASSISTANCE OF REPRODUCING RIGHTS ORGANISATIONS FOR SECTION 47 OF THE COPYRIGHT ACTS AND PARTS OF 1988. UNLESS THEY ARE COVERED BY A LICENSE OR OTHERWISE TO COPYRIGHT, THE COPY MUST NOT BE COPIED WITHOUT THE WRITTEN PERMISSIONS OF THE COPYRIGHT OWNER.

**NOTES**

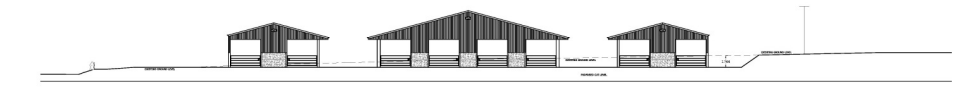
The drawings and design are the copyright of the author and shall remain the property of the author. It shall not be reproduced or used in any form without the written permission of the author. The author shall not be held responsible for any errors or omissions in the drawings or design. The author shall not be held responsible for any damage or loss of any kind caused by the use of the drawings or design. The author shall not be held responsible for any liability of any kind caused by the use of the drawings or design.

**REVISIONS**

REV	NOTE / DRAWN BY	DATE
1	ISSUED FOR PERMIT	2017/03/17
2	ISSUED FOR PERMIT	2017/03/17



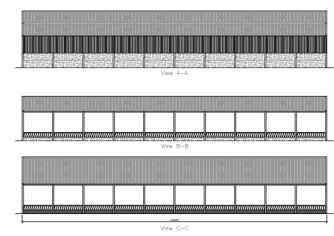
B - B SITE SECTION



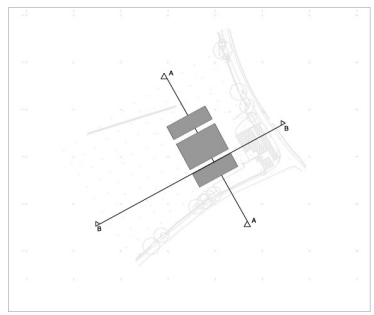
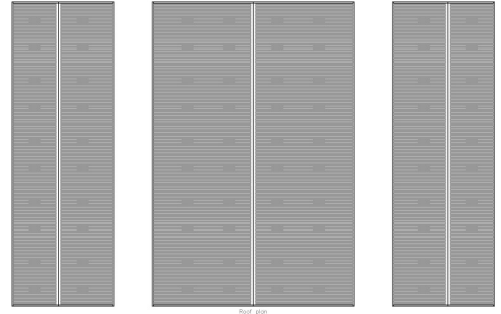
A - A SITE SECTION



THE ROOF IS MADE UP OF 10% OF STEEL, FROM OTHER BUILDING, WITH CORROSION RESISTANT COATING. THE ROOF IS MADE UP OF 10% OF STEEL, FROM OTHER BUILDING, WITH CORROSION RESISTANT COATING. THE ROOF IS MADE UP OF 10% OF STEEL, FROM OTHER BUILDING, WITH CORROSION RESISTANT COATING.



ELEVATIONS AND ROOF PLANS



SECTION MAP (NTS)



**PROJECT TITLE**  
HALL FARM  
BACK LANE  
WELBURN YO62 7RH  
**CLIENT**  
MR WILLIAM SHAW

**DRAWING NO**  
PROPOSED AGRICULTURAL BUILDINGS  
SECTIONS AND ELEVATIONS

**SCALE** 8:1  
1:250  
**PROJECT / DWG NO**  
YSRU 383234/AG02 REV B

**DESIGNED BY**  
PSB  
**CHECKED BY**  
PHN  
**DATE**  
MARCH 17

VALID  
16.04.17

AS EXISTING TOPOGRAPHICAL SURVEY DRAWINGS OBTAINED OUT OF  
ARCHIVE COPIES FROM THE RECORDS BUILDING SURVEY  
DRAWINGS BY SIMPSON AND PLEASANT LTD. CHECKED AND REPRODUCED  
BY SAVILLS



MR  
PHN  
16.04.17  
1:250  
1:250